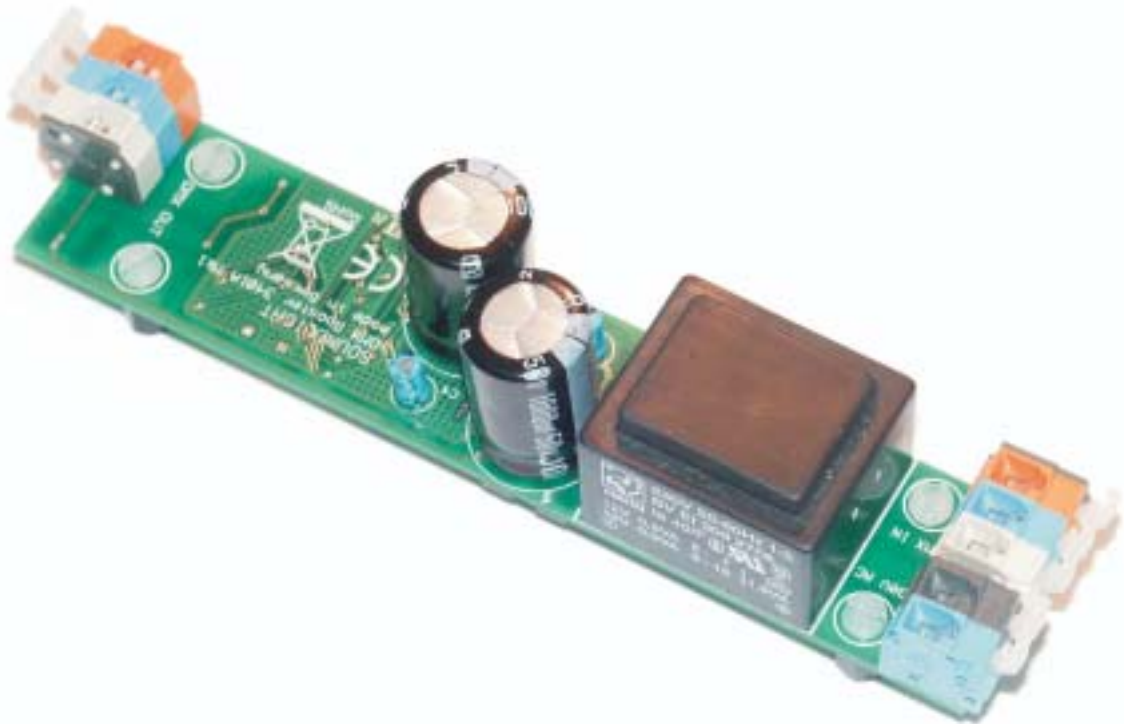


OPERATING MANUAL

DMX LINE BOOSTER 3401A-EP



(C) SOUNDLIGHT 1995-2007 * ALL RIGHTS RESERVED * NO PART OF THIS MANUAL MAY BE REPRODUCED, DUPLICATED OR USED COMMERCIALY WITHOUT THE PRIOR WRITTEN CONSENT OF THE OWNER * ALL STATEMENTS WITHIN THIS MANUAL HAVE BEEN CHECKED CAREFULLY AND ARE BELIEVED TO BE ACCURATE, HOWEVER SOUNDLIGHT DOES NOT ASSUME ANY RESPONSIBILITY FOR ERRORS OR OMISSIONS. * THE USER HAS TO CHECK THE SUITABILITY OF THE EQUIPMENT FOR THE INTENDED USE. SOUNDLIGHT EXPRESSLY EXCLUDES ANY RESPONSIBILITY FOR DAMAGES - DIRECT OR INDIRECT - WHICH MAY OCCUR DUE TO MISUSE, UNPROPER INSTALLATION, WRONG OPERATING CONDITIONS AND NON-COMPLIANCE TO THE INSTRUMENT'S INSTRUCTIONS, AS WELL AS IGNORANCE OF EXISTING SAFETY REGULATIONS.

Thank you for choosing a SOUNDLIGHT product.

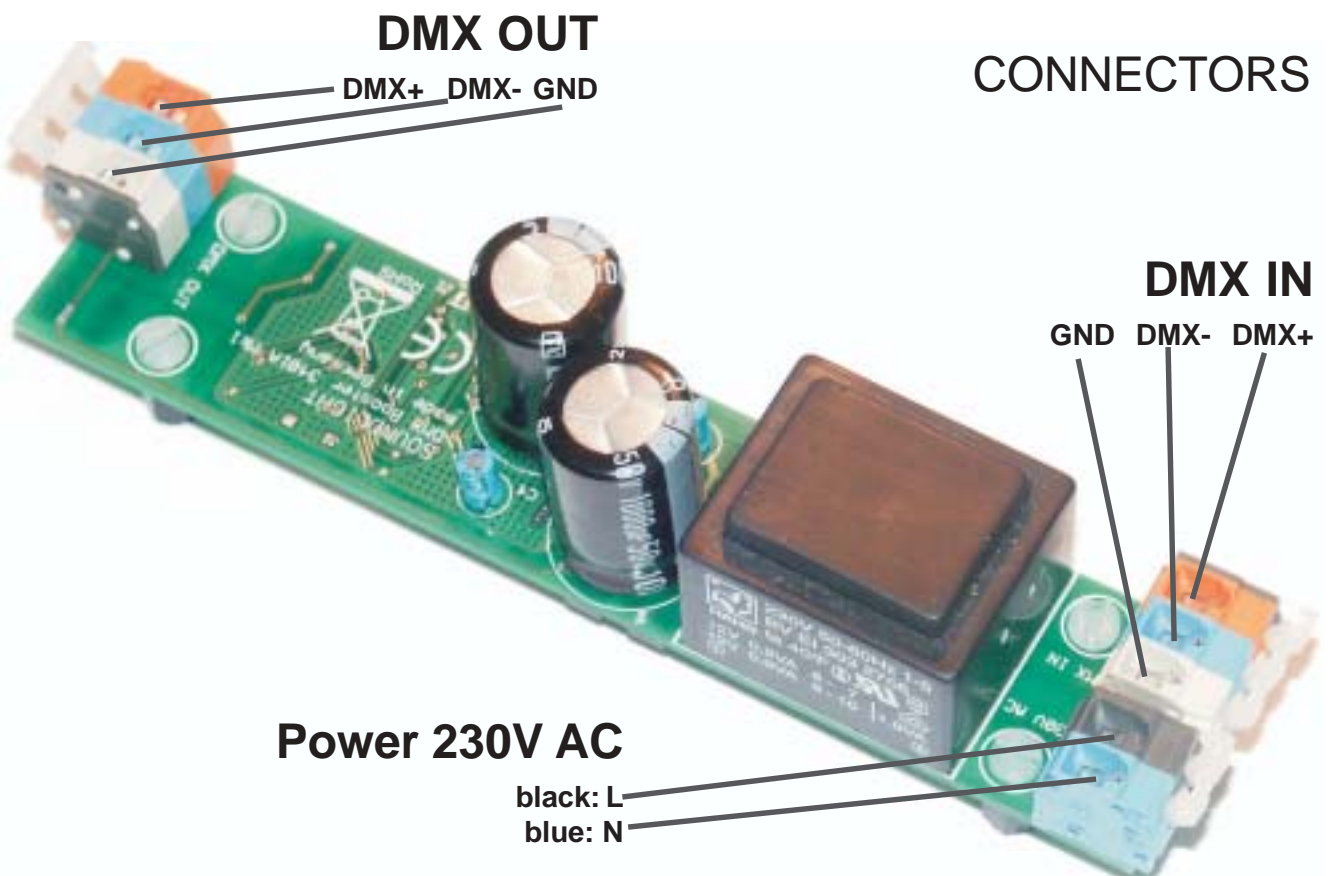
The SOUNDLIGHT DMX Line Booster 3401A-EP has been designed for lighting control systems using USITT DMX512/1990. The board can be used with all standard light control systems. Its special advantages include:

- **universal protocol decoding**
Recognizes all variants of the protocol as defined by USITT/ESTA/WETF/DIN
- **future-proof**
The unit is software controlled and can be adapted to any change in protocol definition.
- **simple supply**
The power supply is 230V AC
- **isolated output**
Signal input and output are galvanically isolated.
- **cost-effective**
The SOUNDLIGHT 3401A-EP is a cost-effective solution for many purposes.

GENERAL

Designation of pcb: 3401A-EP
Features: isolated DMX512 line booster

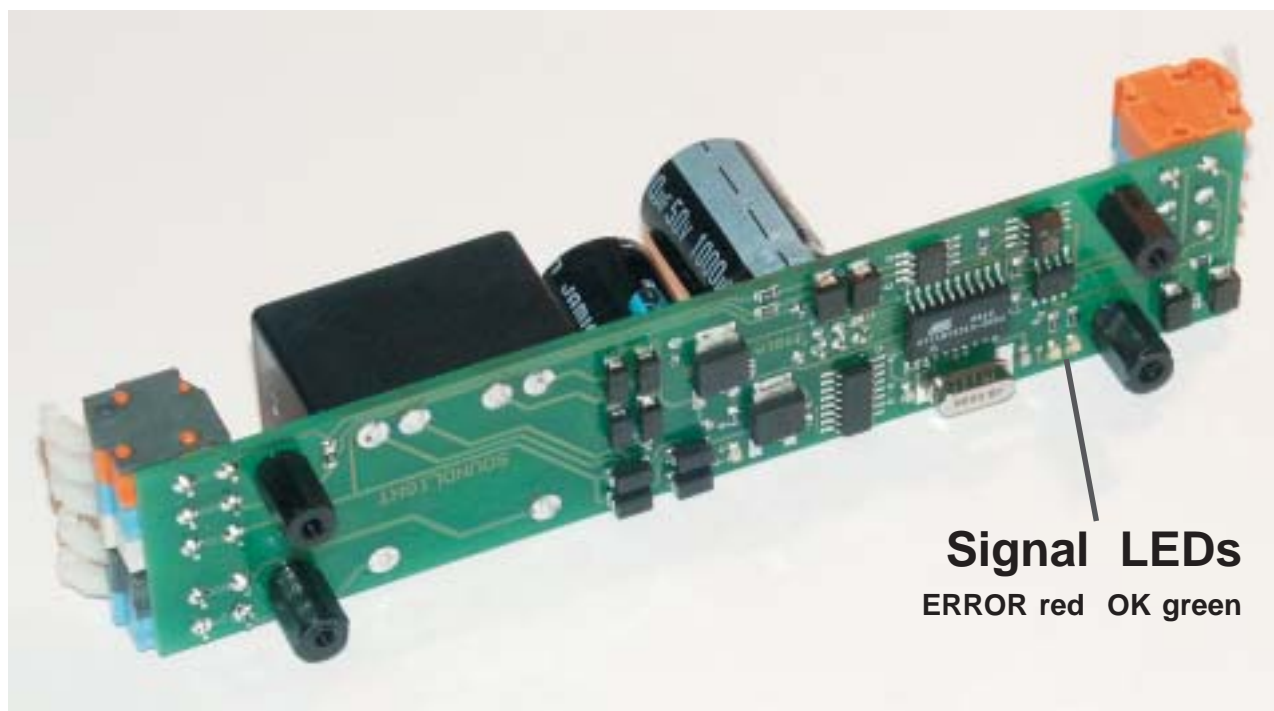
The DMX line booster accepts a standard DMX512 input signal and outputs a amplified, optically isolated signal to drive 32 standard loads.



MOUNTING

Four fastening holes are provided for screwing the pcb to a chassis (marked). Plastic distance washers (5mm min. recommended) should be used to satisfy electrical isolation requirements.

SIGNAL INDICATORS



Signal LEDs

ERROR red OK green

The status of the Line Booster Board is signalled with two LED indicators.

green:	operation (blinking)
red:	ERROR (blinking)
	No error indication while normal operation
	Error blinking at data errors or loss of communication.
	1x blink: signal loss, general error
	2x blink: startcode error

TECHNICAL DATA

Dimensions pcb:	136 mm x 28 mm
Supply:	230V AC approx 2VA
DMX IN:	1 unit load
DMX OUT:	32 unit load, opto-isolated
Order code:	3401A-EP

CE CONFORMITY



This DMX line booster is microprocessor controlled and uses high frequency (8 MHz quartz). The interface has been tested in our emc lab to comply with EN5022B and IEC65/144.

To ensure the best performance regarding radiated and conducted emissions we suggest to install the interface card in a closed, conductive (e.g. metal) housing, which must be connected to GND.

Please make sure that shielded data cable is used throughout and the shield is connected properly to the GND pin. Shield must never make contact to other signal lines.

FCC STATEMENT

This product has been tested and complies with the specifications for a Class B digital device, pursuant to Part 15 of the FCC Rules. These limits are designed to provide reasonable protection against harmful interference in a residential installation. This equipment generates, uses, and can radiate radio frequency energy and, if not installed and used according to the instructions, may cause harmful interference to radio communications.

However, there is no guarantee that interference will not occur in a particular installation. If this equipment does cause harmful interference to radio or television reception, which is found by turning the equipment off and on, the user is encouraged to try to correct the interference by one or more of the following measures:

- Reorient or relocate the receiving antenna
- Increase the separation between the equipment or devices
- Connect the equipment to an outlet other than the receiver's
- Consult a dealer or an experienced radio/TV technician for assistance

FCC Caution: Any change or modification to the product not expressly approved by SLH could void the user's authority to operate the device.

DISTURBANCES

If a trouble-free operation cannot be guaranteed, disconnect the decoder interface and secure it against unwanted operation. This is especially necessary, when

- the unit shows visible damages;
- the unit does not operate;
- internal parts are loose;
- interconnection cables show visible damages.

LIMITED WARRANTY

This instrument is warranted against defects in materials and workmanship for a period of 12

month, beginning with the date of purchase. The warranty is limited to repair or exchange of the hardware product; no further liability is assumed. SOUNDLIGHT is not responsible for damages or for loss of data, sales or profit which arise from usage or breakdown of the hardware product. In Germany, SOUNDLIGHT will repair or replace established defects in hardware, provided that the defective part is sent in, freight paid, through the responsible dealer along with warranty card and/or sales receipt prior to expiration of warranty.

Warranty is void:

- when modifying or trying to repair the unit without authorisation;
- modification of the circuitry;
- damages by interference of other persons;
- operation which is not in accordance with the manual;
- connection to wrong voltage or current;
- misuse.

SERVICE

There are no parts within the DMX Line Booster Board 3401A-EP which require the user's attention. Should your unit require servicing, please send it to the factory, freight paid.

INTERNET-HOTLINE

Please use our internet domain <http://www.soundlight.de> for new versions, updates etc. If you have any comments which may be worth considering, please send a message to info@soundlight.de. We will check your message and reply accordingly.

ENVIRONMENTAL NOTICE



When the end of the useful lifetime of this product has been reached, it must be disposed of properly. Electric and electronic devices must not be placed in domestic waste. Contact your local authorities for information about a suitable collection point in your neighbourhood. SOUNDLIGHT is a WEEE registered company.