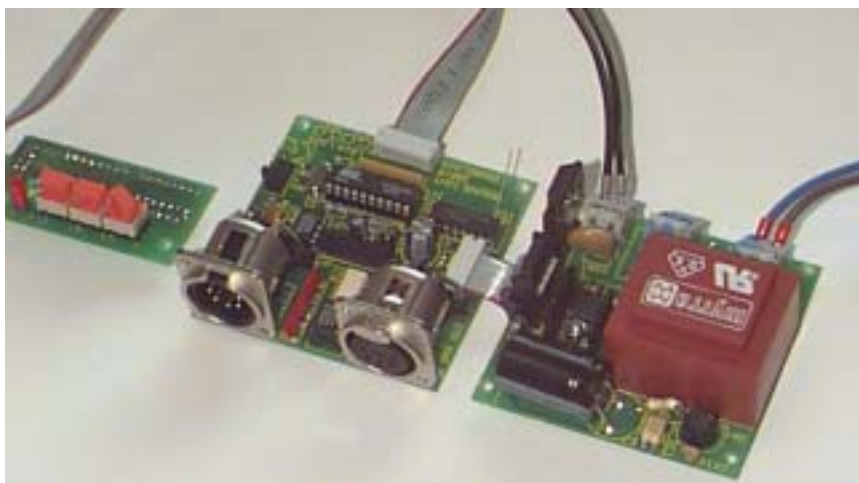


## OPERATING MANUAL

### DMX Dimmer Card 3007A



(C) SOUNDLIGHT 1996-2002 \* ALL RIGHTS RESERVED \* NO PART OF THIS MANUAL MAY BE REPRODUCED, DUPLICATED OR USED COMMERCIALY WITHOUT THE PRIOR WRITTEN CONSENT OF THE OWNER \* ALL STATEMENTS WITHIN THIS MANUAL HAVE BEEN CHECKED CAREFULLY AND ARE BELIEVED TO BE ACCURATE, HOWEVER SOUNDLIGHT DOES NOT ASSUME ANY RESPONSIBILITY FOR ERRORS OR OMISSIONS. \* THE USER HAS TO CHECK THE SUITABILITY OF THE EQUIPMENT FOR THE INTENDED USE. SOUNDLIGHT EXPRESSLY EXCLUDES ANY RESPONSIBILITY FOR DAMAGES - DIRECT OR INDIRECT - WHICH MAY OCCUR DUE TO MISUSE, UNPROPER INSTALLATION, WRONG OPERATING CONDITIONS AND NON-COMPLIANCE TO THE INSTRUMENT'S INSTRUCTIONS, AS WELL AS IGNORANCE OF EXISTING SAFETY REGULATIONS.

# Preface

## Thank you for choosing a SOUNDLIGHT device.

The SOUNDLIGHT DMX Dimmer Card 3007A is a 2-channel DMX dimmer decoding digital data complying with standard USITT DMX512 and DIN 56930-2. The card can be used with all standard light control systems. Its special advantages include:

- universal protocol decoding  
Recognizes all variants of the protocol as defined by USITT / ESTA / DIN
- future-proof  
The unit is software controlled and can easily be adapted to any change in protocol definition.
- high linearity  
Digital control from data input to triac firing ensures best phase linearity.  
Digital technology is highly insensitive to hum and noise.
- simple supply  
The power supply is derived from mains supply voltage 230V AC
- signal loss  
In the case of a loss of the drive signal the last setting will remain intact.
- cost-effective  
The SOUNDLIGHT 3007A is a cost-effective solution for many dimming purposes for loads up to 500 watts per channel. Applications include theatre and show stage, live or TV

## Unpacking

Please unpack carefully and check that all items are intact. When leaving our factory, the card has been in good condition. In case of damage during transport please notify the carrier immediately.

When unpacking, you should identify these items:

- the interface card 3007A
- this manual

## Installation

Please mount the card in a closed, screened case. The card features fastening holes for tapped screws M3. We recommend use of brass distance bolts or spacers to mount the card 10mm above the case base plate. Connect the power supply to the PSU spring terminals.

<b>POWER SUPPLY</b>	<b>CN10</b>
black:	230V AC PHASE
blue:	0V AC NEUTRAL

Upon application of supply voltage the card is ready for operation.

## DMX INPUT / OUTPUT

Connection to the DMX512 data line is by 5-pin onboard XLR connectors, as defined in the standards document. For pin assignment see below.

<b>DMX INPUT</b>	(male)
1	GND
2	DMX -
3	DMX +

- 4 not connected, thru-wired to Pin 4 DMX OUT
- 5 not connected, thru-wired to Pin 5 DMX OUT

**DMX OUTPUT** (female)

- 1 GND
- 2 DMX -
- 3 DMX +
- 4 not connected, thru-wired to Pin 4 DMX IN
- 5 not connected, thru-wired to Pin 5 DMX IN

**DIMMED OUT #1 CN6**

- K1a grey
- K1b grey

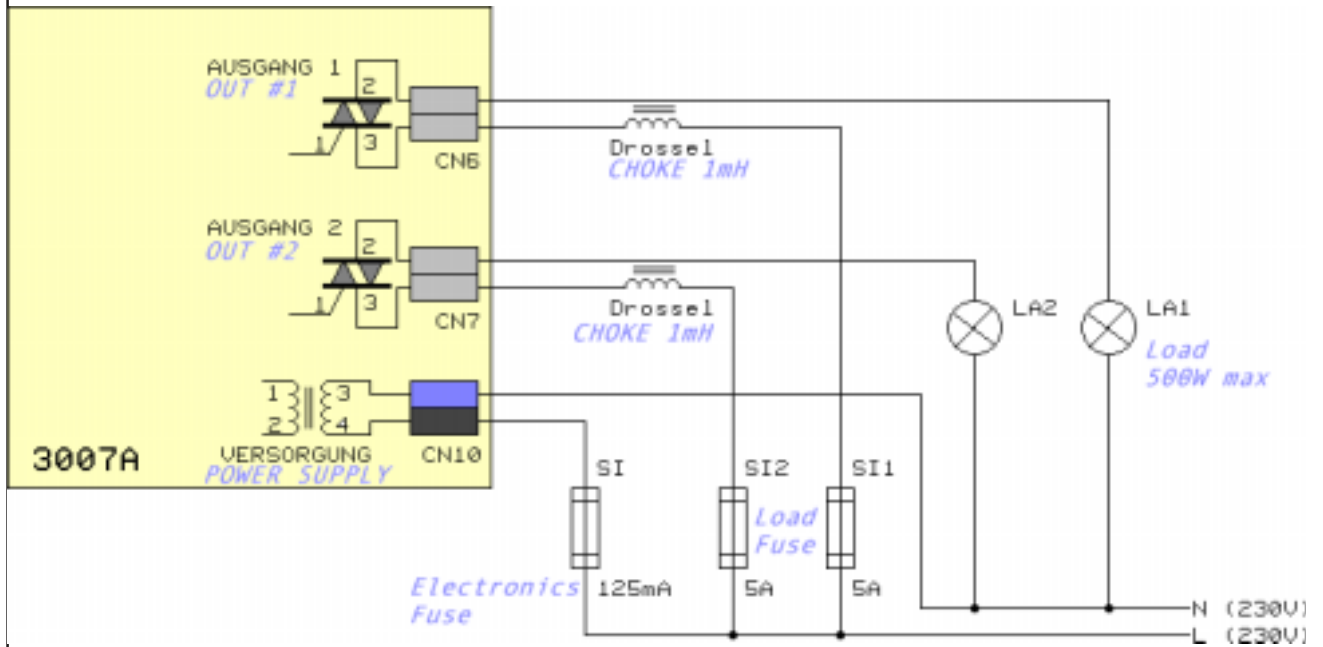
Dimmed outputs are internally paralleled with a varistor 260V AC

**DIMMED OUT #2 CN7**

- K2a grey
- K2b grey

Dimmed outputs are internally paralleled with a varistor 260V AC

**Note:** Dimmed outputs are NOT not connected internally to power supply. Appropriate connections to power supply, external fuses and to load and chokes (current rise time limiting chokes, to be added externally) have to be made externally. Values shown are typical recommended values but should be adjusted to specific needs. Please make sure that power supply and load supply are derived from the same mains phase.



**Wiring Diagram 3007A**

The drawing shows the position of the onboard connectors. For one-channel models, connectors CN7 are left open.

## Signal Indicators

The state of the demultiplexer card is signalled with two indicator LEDs.

green: OPERATION (blinking)  
red: ERROR (blinking)  
Error blinking at data errors or loss of communication.

## Start Address Switches

The three decimal coding switches set the start address, that is the address of the first channel to be decoded. The setting is fully decimal, no binary conversion is necessary as is with DIL switches.

S1: Ones  
S2: Tens  
S3: Hundreds

If the switch block is set to non-defined address 000, all outputs are disabled regardless of the data received.

## Service Settings

The DMX dimmer card 3007A can be set to various service settings. This is to test individual outputs.

Settings include:

801: Output 1 On  
802: Output 2 On  
  
997: both outputs are switching synchronously  
998: both outputs are dimming slowly synchronously  
999: both outputs are switching alternatively (running light)

Please allow up to 1 second for the outputs to settle according to the test switch state.

## Technical Data

Dimensions: 71 mm x 71 mm x 71 mm  
Power Supply: typ. 230V AC approx. 3,5VA (185...264V)  
DMX IN: 1 Unit Load  
DMX OUT: fed-through  
Power Out: 230V AV max. 500W per channel  
Order Code.: 3007A-EP1 1 channel model  
3007A-EP2 2 channel model

## Disturbances

If a trouble-free operation cannot be guaranteed, disconnect the dimmer card interface and secure it against unwanted operation. This is especially necessary, when

- the unit has visible damages;
- the unit does not operate;
- internal parts are loose;

- connection cables show visible damages.

## LIMITED WARRANTY

This instrument is warranted against defects in materials and workmanship for a period of 12 months, beginning with the date of purchase. The warranty is limited to repair or exchange of the hardware product; no further liability is assumed. SOUNDLIGHT is not responsible for damages or for loss of data, sales or profit which arise from usage or breakdown of the hardware product. In Germany, SOUNDLIGHT will repair or replace established defects in hardware, provided that the defective part is sent in, freight paid, through the responsible dealer along with warranty card and/or sales receipt prior to expiration of warranty.

Warranty is void:

- when modifying or trying to repair the unit without authorisation;
- modification of the circuitry;
- damages by interference of other persons;
- operation which is not in accordance with the manual;
- connection to wrong voltage or current;
- misuse.

## Service

There are no parts within the DMX dimmer card 3007A which require the user's attention. Should your unit require servicing, please send it to the factory, freight paid.

## Internet-Hotline

Please check our internet domain <http://www.soundlight.de> for new versions, updates etc. If you have any comments which may be worth considering, please send a message to [support@soundlight.de](mailto:support@soundlight.de). We will check your message and reply accordingly.